

# MHC-V13

## SERVICE MANUAL

**Conditions of Use:**

- (1) Please use this information only for the purpose of performing repair, maintenance and/or configuration services of the Sony products (hereinafter the "Repair services") under the service agreement entered into with the Sony group company (hereinafter the "Service agreement"). Using this information for any purpose other than the purpose described foregoing is forbidden.
- (2) Only the Authorized Servicer's officers, employees or subcontractors (including their officers and employees) whose duties justify a need-to-know and who have agreed to hold confidential this information (collectively hereinafter the "Permitted users") are permitted to access and use this information. To disclose or disseminate to any person other than the Permitted users is forbidden.
- (3) Destroy or erase any and all portion of this information promptly in an irrecoverable and secure fashion after achieving the purpose described in Section (1) above.
- (4) Do not copy, replicate, reproduce, alter, translate, transmit, sell, lease, or distribute this information in whole or in part without the prior written permission of the author. (Notwithstanding foregoing, it is permitted to copy and distribute this information to the Permitted users.)
- (5) Please notify immediately any leakage, loss, theft, misappropriation, or other misuse of this information by e-mail to the following address:  
[somk-qcs-tissnexim-adm@jp.sony.com](mailto:somk-qcs-tissnexim-adm@jp.sony.com)
- (6) In addition to the above, the terms and conditions of the Service agreement shall be applied to using this information.

**Revision of Information:**

This information may be changed or updated at any time without any prior notice. Please confirm that this information is up-to-date before using it.

**Note:**

Be sure to keep your PC used for service and checking of this unit always updated with the latest version of your anti-virus software.  
In case a virus affected unit was found during service, contact your Service Headquarters.

NZNEEDPA - Tue, 30 Sep 2025 18:56:13 GMT

Sony CONFIDENTIAL  
For Authorized Servicer

9-930-603-02  
2020H33-1  
© 2020.08

Sony Home Entertainment &  
Sound Products Inc.

SONY®

## SECTION 7 EXPLODED VIEWS

**Note:**

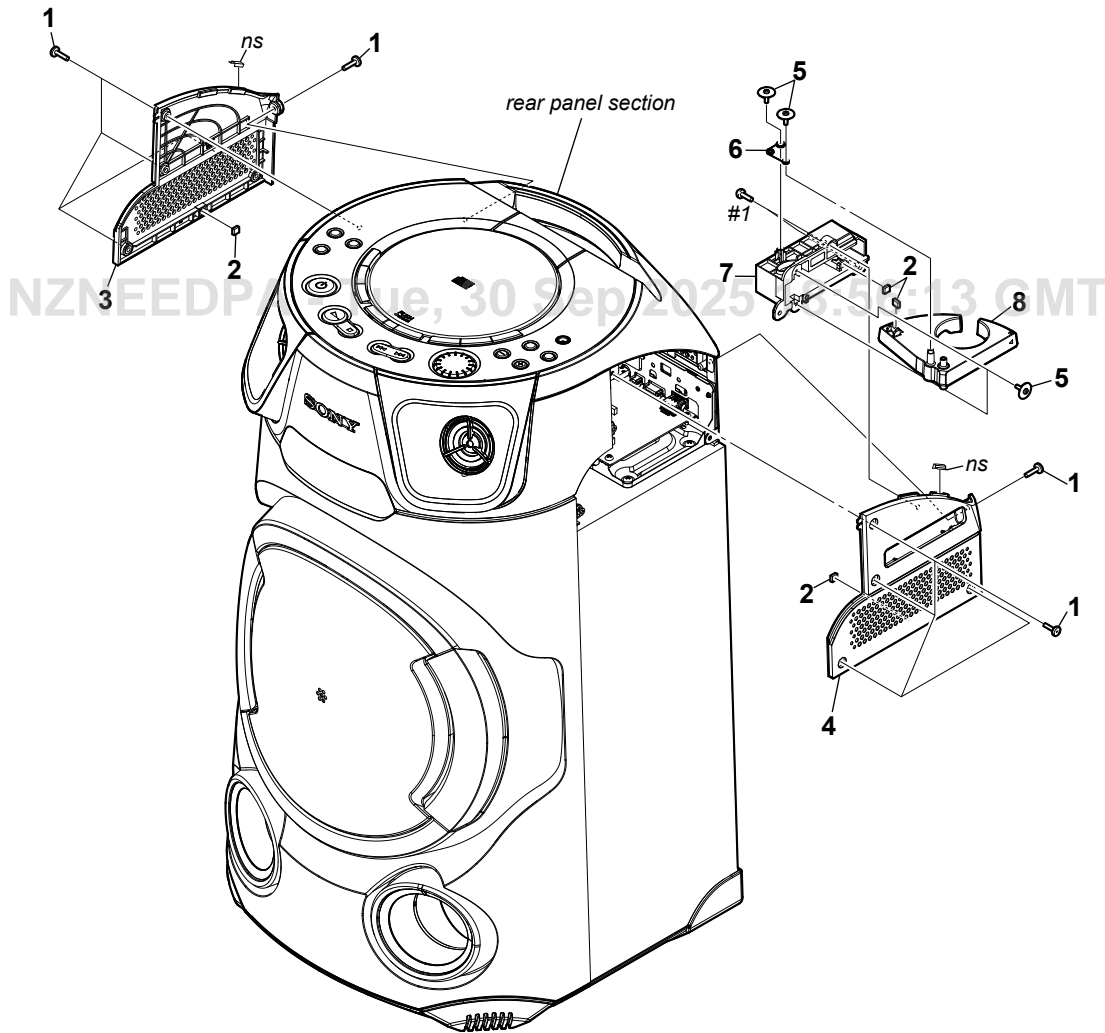
- -XX and -X mean standardized parts, so they may have some difference from the original one.
- Items marked "\*" are not stocked since they are seldom required for routine service. Some delay should be anticipated when ordering these items.
- The mechanical parts with no reference number in the exploded views are not supplied.
- Color Indication of Appearance Parts Example:  
KNOB, BALANCE (WHITE) . . . (RED)

↑                      ↑  
 Parts Color    Cabinet's Color

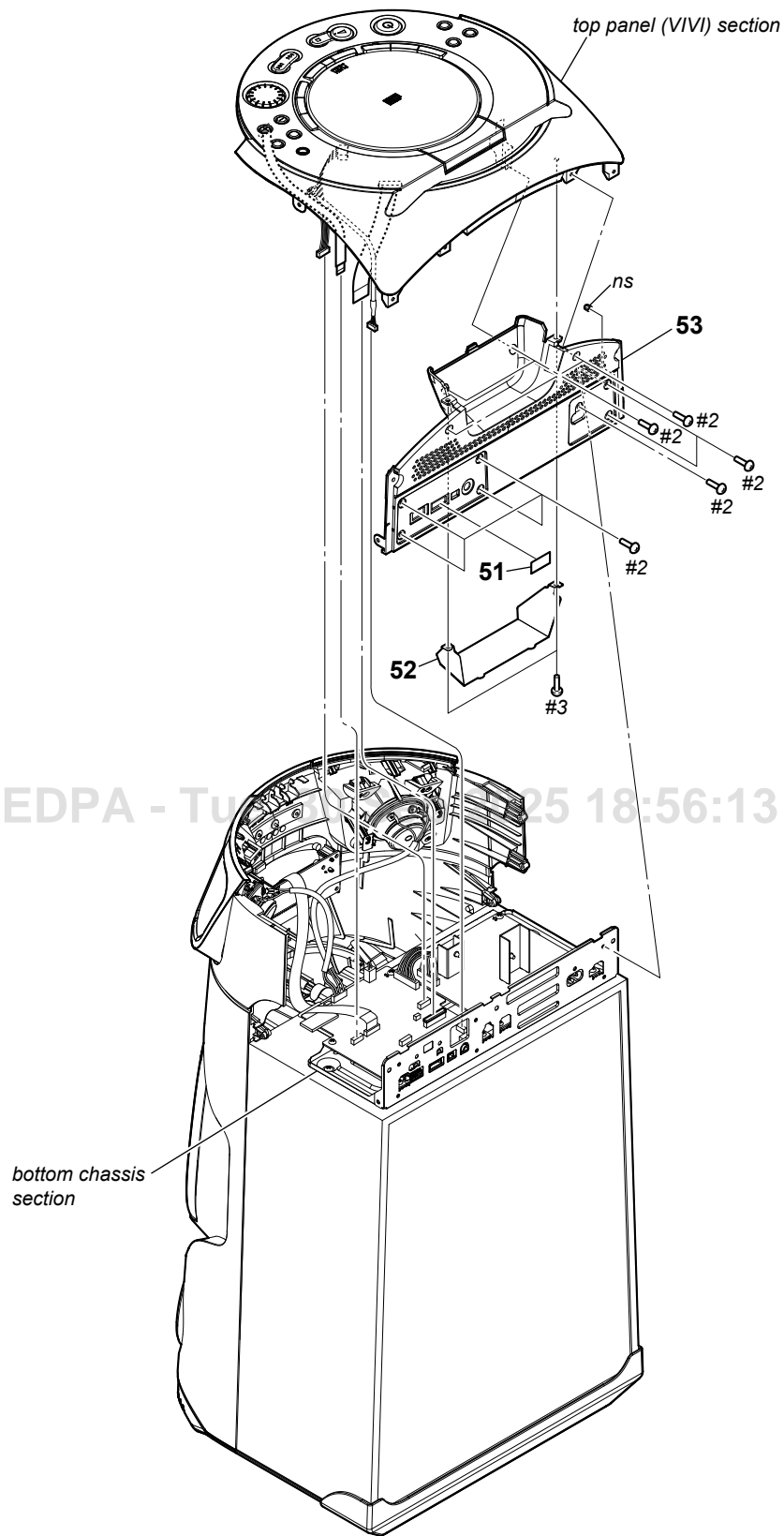
The components identified by mark  $\Delta$  or dotted line with mark  $\Delta$  are critical for safety.  
Replace only with part number specified.

Les composants identifiés par une marque  $\Delta$  sont critiques pour la sécurité.  
Ne les remplacer que par une pièce portant le numéro spécifié.

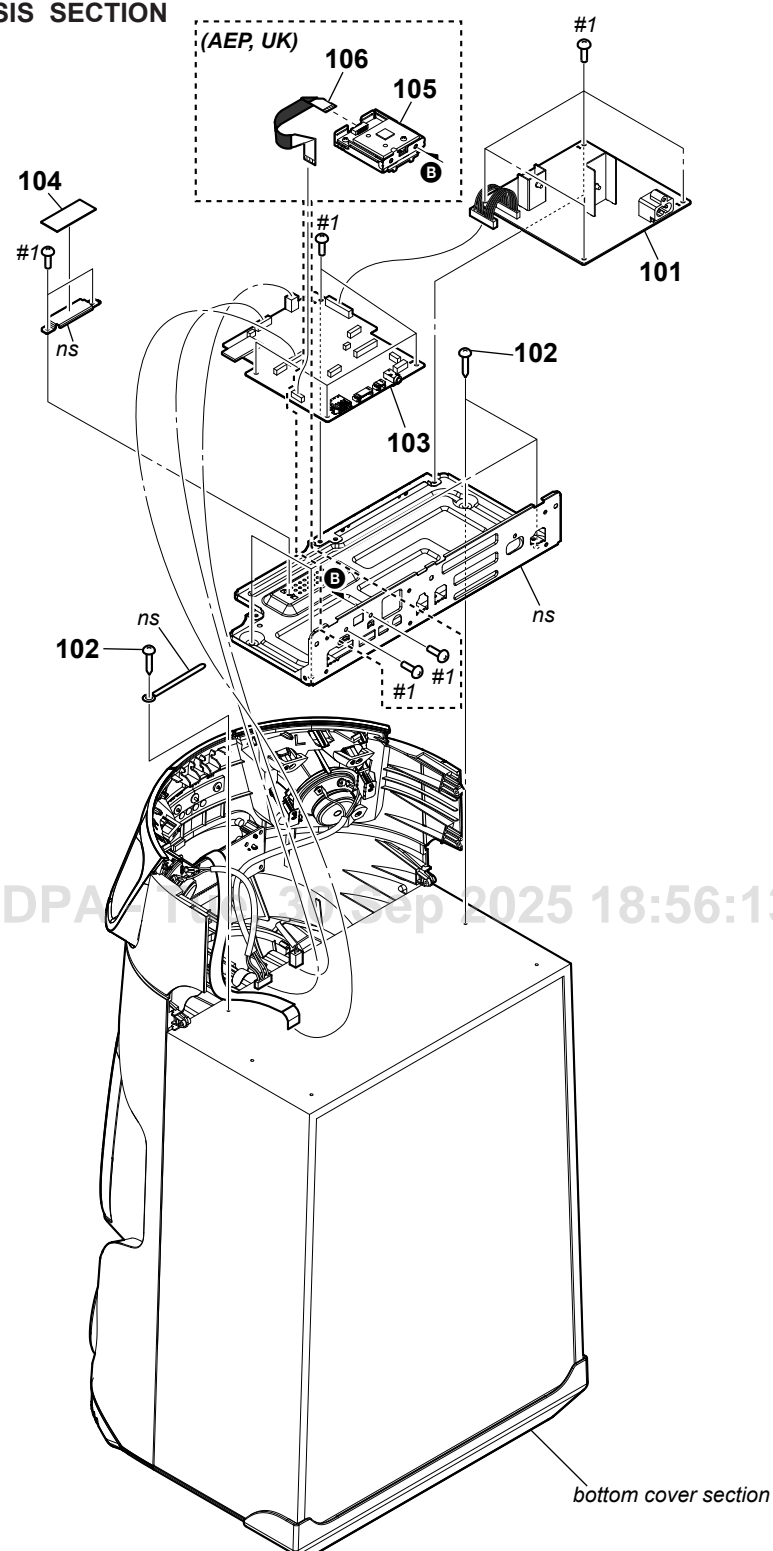
### 7-1. LEFT, RIGHT PANEL



**7-2. REAR PANEL SECTION**



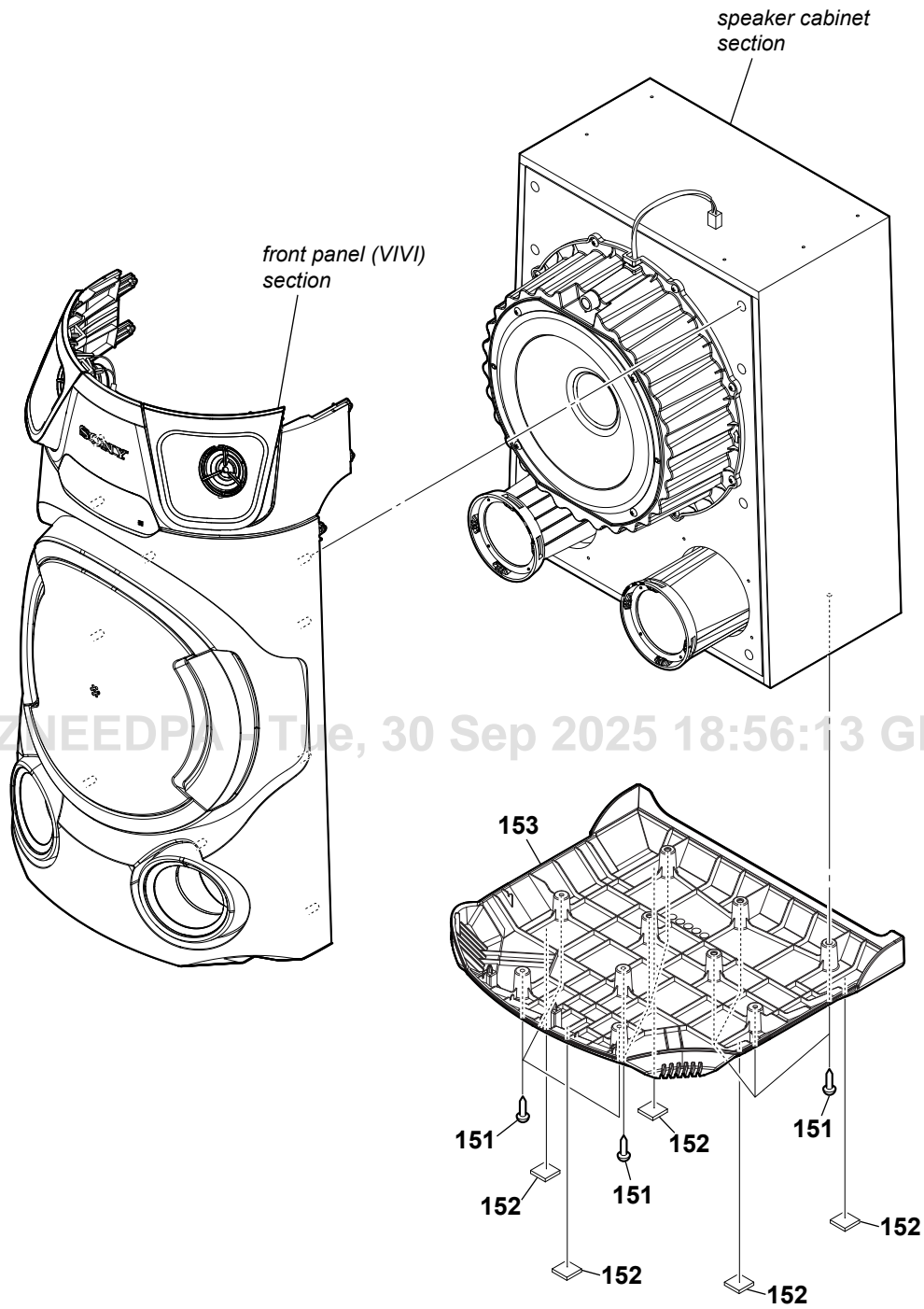
7-3. BOTTOM CHASSIS SECTION



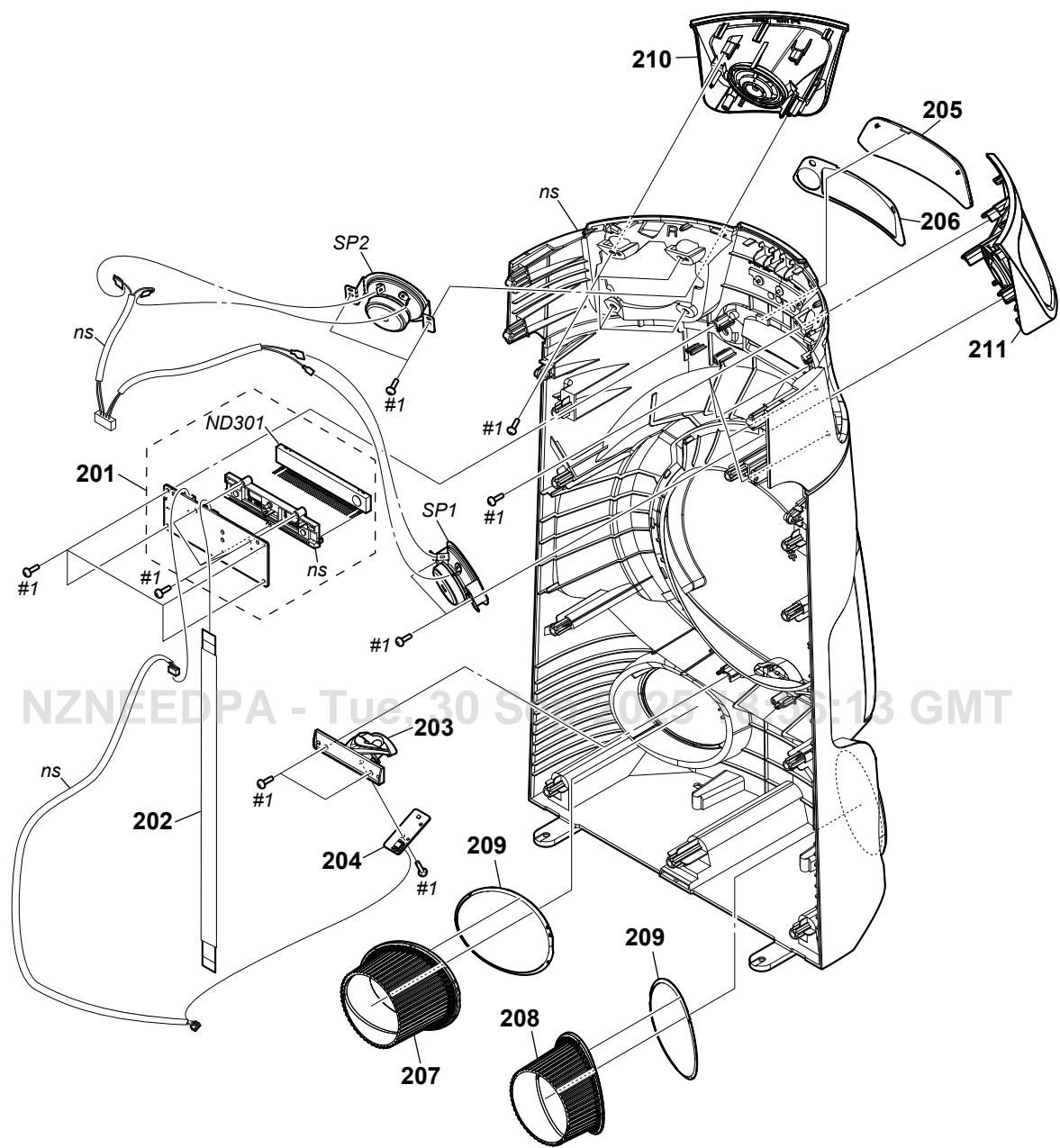
**Note 1:** When the MAIN board is replaced, change the thermal sheet (MB) referring to "NOTE OF REPLACING THE MAIN MOUNTED PC BOARD" on page 6.

**Note 2:** When the MAIN mounted pc board is replaced, be sure to refer to "DESTINATION SETTING METHOD" on page 6.

7-4. BOTTOM COVER SECTION



**7-5. FRONT PANEL (VIVI) SECTION**



**Note:** If flexible flat cable is replaced, install it after bending it in the same form as that before replacement.



7-7. TOP PANEL (VIVI) SECTION

